

METAL SHARK® PH For Pharmaceuticals



Infeed funnel included (mirror polished SS316)



Disassemble the reject without tools

Reject won't damage tablets

Typically, the METAL SHARK® PH types are used at the outlet of a tablet press and *provide highest performance* in detecting magnetic and non-magnetic metals. The tablets fall through the metal detector. With the reject flap smallest metal objects are separated out of the goods' stream promptly. With a maintenance free design and high quality construction, for reliable operation in the most challenging industrial environments.

Outstanding Sensitivity and Stability

The METAL SHARK® provides outstanding sensitivity, accuracy, stability and precise compensation of product effects.

IQ, OQ, PQ, SQ Qualification Templates

Cassel supplies the required qualification templates along with the METAL SHARK® PH metal detector (SQ is optional).

Performance validation

The performance validation automatically prompts the operator to test the performance of the Metal Shark at pre-set intervals.

Infeed and Reject

System Chutes, moulded, for both infeed and reject, throughput max. 5000 tablets per minute. Solenoid driven stainless steel reject diverter mechanism, mirror polished, variable infeed / outfeed height Quick demount design for easy cleaning.

Support Stand

Stainless steel support stand, mirror polished, mobile through castors and fixed feet, height adjustable.

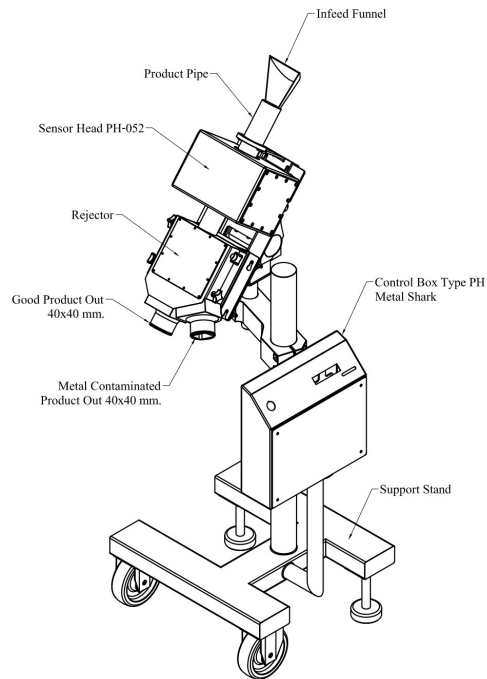
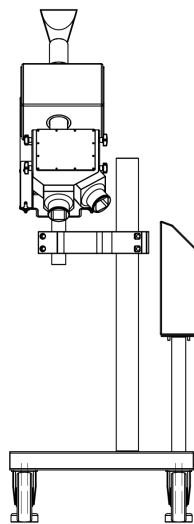
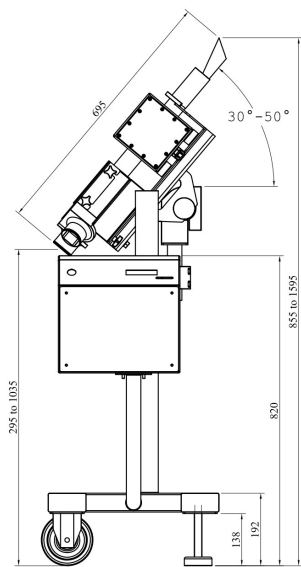
No Maintenance

The automatic balance and calibration control ensures many years of reliable performance. The requirement for costly routine manufacturer actions is eliminated. Once set, the METAL SHARK® does not require any manufacturer adjustment at all. Therefore implementing the METAL SHARK® PH will help to save your service budget.

METAL SHARK® PH

For Pharmaceuticals

Dimensions



METAL SHARK® PH



As a manufacturer Cassel is committed to highest standards of quality. For more than ten years our goal has been to ensure the quality of your products. Our reputation has been earned by protecting yours. We supply customers in different industries worldwide such as Foods, Plastics, Pharmaceuticals, Textile, Timber and Mining. Our headquarters and state of the art manufacturing facility are located near Hannover in the heart of Germany. Each year we manufacture and deliver over 1000 metal detection systems. Approximately 80% of the production is heading for export markets. To ensure you get the very best of service and support wherever on the globe you are using our metal detectors, we have a worldwide network of partner agents.

Cassel GmbH Germany | In der Dehne 10 | 37127 Dransfeld
 Tel.: +49(0)5502-9115-0 | Fax: +49(0)5502-9115-32 | www.cassel.de